

Water Pressure Systems

Albin Pump Marine WPS300-series 3-chamber and WPS500-Premium Series 5-chamber diaphragm Water Pressure System pumps for providing pressurized water on demand! Our WPS pumps supply continuous, pulsation-free, pressurized flow of both hot and cold water to faucets, shower heads and more. Choose between the 3- and 5-chamber diaphragm pumps, depending on required flow rates and number of faucets to be served.

- Easy to install
- Integrated extra heavy duty sealed pressure switch
- Smooth & Pulsation-free flow
- Quiet operation
- Serves multiple outlets
- Self-priming 2 m (6.5 feet); WPS 5.3 – 2.5 m (8.2 ft)
- Quick disconnect ports
- Connection with ½" hose (also ¾" 500-Premium Series)
- Click-on 40 µm-mesh strainer included
- Composite base mount for even quieter operation
- Manufactured according to CE standard; EN55014-1, ISO 88461 & ISO10133. Under approval

WPS300-Series 3-Chamber Standard Water Pressure Pumps

WPS 2.6

Part no.	Description	Capacity	No. of outlets	Pressure cutoff	Voltage	Fuse size	Quick Connection	Dimensions
02-01-003	WPS 2.6 12V	9.8 L/min (2.6 GPM)	1 to 3	2.8 bar (41 psi)	12V	10 A	½" hose	205 x 219 x 110 mm (8.1 x 8.6 x 4.3 inches)

WPS 3.5

Part no.	Description	Capacity	No. of outlets	Pressure cutoff	Voltage	Fuse size	Quick Connection	Dimensions
02-01-004	WPS 3.5 12V	13 L/min (3.5 GPM)	1 to 3	2.8 bar (41 psi)	12V	10 A	½" hose	205 x 219 x 110 mm (8.1 x 8.6 x 4.3 inches)
02-01-005	WPS 3.5 24V				24V	5 A		

WPS500-Premium Series 5-Chamber High Capacity Water Pressure Pumps

WPS 4.0

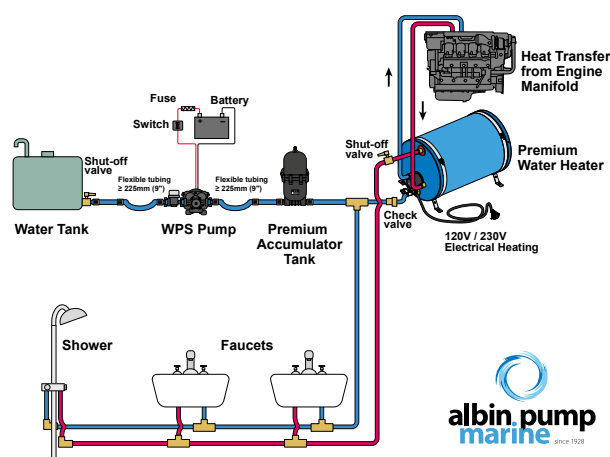
Part no.	Description	Capacity	No. of outlets	Pressure cutoff	Voltage	Fuse size	Quick Connection	Dimensions
02-02-006	WPS 4.0 12V	15 L/min (4.0 GPM)	1 to 5	2.8 bar (41 psi)	12V	10 A	½" and ¾" hose	215 x 224 x 112 mm (8.4 x 8.8 x 4.4 inches)
02-02-007	WPS 4.0 24V				24V	5 A		

For WPS systems: install the WPS pump together with acc. Tank 02-66-022

WPS 5.3

Part no.	Description	Capacity	No. of outlets	Pressure cutoff	Voltage	Fuse size	Quick Connection	Dimensions
02-02-008	WPS 5.3 12V	20 L/min (5.3 GPM)	1 to 6	2.8 bar (41 psi)	12V	15 A	½" and ¾" hose	215 x 224 x 112 mm (8.4 x 8.8 x 4.4 inches)
02-02-009	WPS 5.3 24V				24V	8 A		

For WPS systems: install the WPS pump together with acc. Tank 02-66-022



albin pump
marine
since 1928

Wash Down

Albin Pump Marine WD300-Premium Series 3-chamber and WD500-Premium Series 5-chamber diaphragm Wash Down pumps for providing pressurized water on demand! Attach a spray nozzle for efficient deckwash or wash down duties!

- Easy to install
- Integrated extra heavy duty sealed pressure switch
- Smooth & Pulsation-free flow
- Quiet operation
- Self-priming WD 3.4 – 2 m (6.5 feet); WD 5.2 – 2.5 m (8.2 ft)
- Quick disconnect ports
- Connection with ½" hose
- Click-on 40 µm-mesh strainer included
- Composite base mount for even quieter operation (WD 3.4)
- Manufactured according to CE standard; EN55014-1, ISO 88461 & ISO10133. Under approval

WD300-Premium Series 3-Chamber Wash Down Pumps

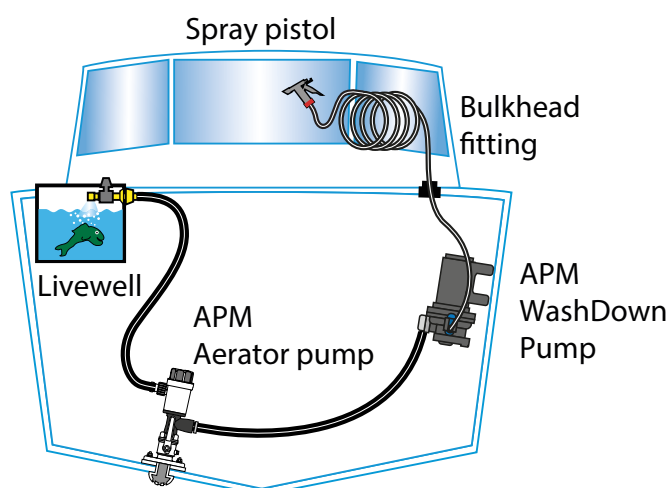
WD 3.4

Part no.	Description	Capacity	Pressure cutoff	Voltage	Fuse size	Quick Connection	Dimensions
02-04-014	WD 3.4 12V	12.9 L/min (3.4 GPM)	5 bar (70 psi)	12V	15 A	½" hose	245x219x105 mm (9.6x8.6x4.1 inches)

WD500-Premium Series 5-Chamber Wash Down Pumps

WD 5.2

Part no.	Description	Capacity	Pressure cutoff	Voltage	Fuse size	Quick Connection	Dimensions
02-04-015	WD 5.2 12V	20 L/min (5.2 GPM)	5 bar (70 psi)	12V	20 A	½" hose	215x224x112 mm (8.5x8.8x4.4 inches)
02-04-016	WD 5.2 24V			24V	10 A		



Accessories / Spare Parts



Premium Accumulator Tank

Accumulator and pulsation dampering tank for water pressure systems. Premium solution for a maximum smoothness of flow system. New, patent pending design for fully realizing the dampening of vibrations / water hammering often experienced in the pipe work of water pressure systems.

- Corrosion free
- Patent pending.

Part no.	Capacity	Dimensions	Connections
02-66-022	0.85 L (0.22 gal)	125 x 125 x 230 mm (5 x 5 x 9 inches)	½" hose or ¾" female thread



WPS/WD Inlet Strainer 40 µm Mesh

Protect your pump to ensure long service life and optimal performance. Inlet strainer 40 µm-mesh with universal quick connect for WPS/ WD pump inlets.

- Easily removable cover for regular maintenance

Part no.	Strainer mesh	Connections
02-99-023	40 µm	Quick connections for Albin Pump Marine WPS/WD pumps